

AVD DC control contactors



AVD DC control contactors from Eaton's Electrical Sector were designed specifically to meet demanding shock, vibration, temperature and other requirements for railway systems applications.

The AVD DC control contactor is a single-pole normally open, load break, bi-directional definite-purpose DC contactor. The device is rated at 1400A continuous and is capable of switching up to 2000 Vdc loads.

Eaton's rugged, high-performance DC control contactors are excellent for industries demanding reliable control devices.

The customer benefits and values offered by the AVD DC control contactor include:

- Patented arc chute design allows maximum switching loads of 2000 Vdc in a compact design
- Continuous duty operating and blowout coils with a variety of voltages (28–230 Vdc) to facilitate seamless interface with existing installed-base and control systems
- Screw-type or faston control terminals on the auxiliary contacts are ideal for connections in railway systems applications
- Rugged devices with high dielectric and mechanical strength offering longer operating life
- Bi-directional interrupting capability
- Transient suppression capability available as an option
- Easy accessibility to wear parts minimizes labor costs and time for inspection, maintenance and repair
- Designed to mount directly on a flat metal panel
- Auxiliary contacts available in any combination of normally open (NO) and normally closed (NC) circuits, up to a maximum of four contacts

Electrical ratings

- Contactor rating
 - Voltage rating is 2000 Vdc
 - Continuous open air current rating is 1400A at 85°C ambient
 - Let-through current rating is 20,000A
 - Maximum break current is 3000A
 - Main pole configuration is SPNO
 - Electrical creepage and clearance distances up to 2000 Vdc
- Interlock rating
 - 5A resistive or 3A inductive at 74 Vdc
 - 3A resistive or 2A inductive at 115 Vdc

Endurance ratings

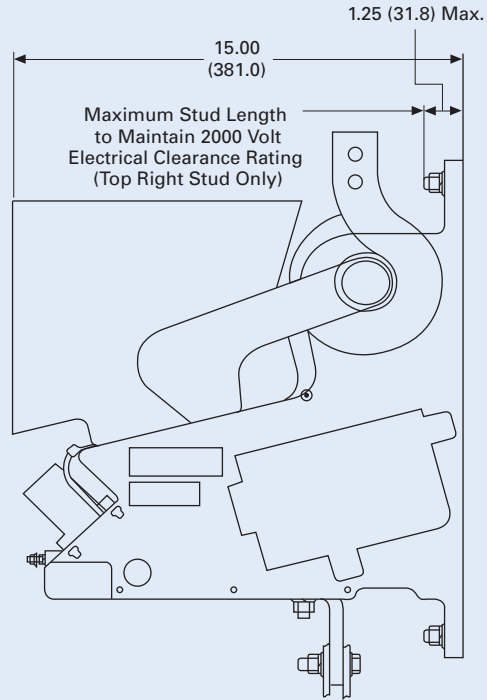
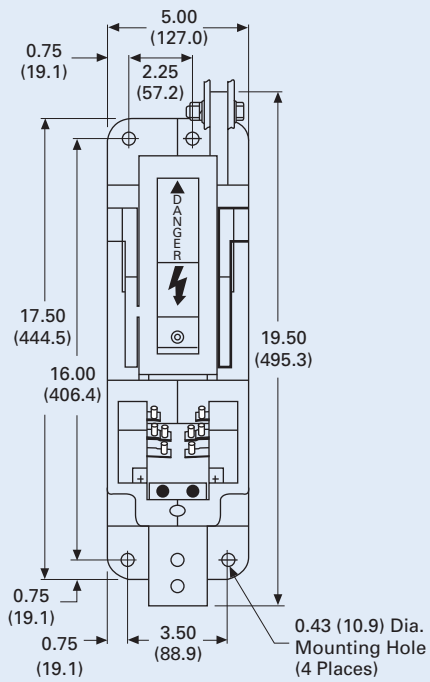
- Mechanical life is 2.5 million operations
- Electrical life is application dependent; consult factory

Environmental ratings

- Operating temperature: –40 to 85°C
- Storage temperature: –40 to 85°C



Powering Business Worldwide



Shipping Weight 70 Lbs (31.8 kg)

AVD Approximate Dimensions in Inches (mm), and Shipping Weight

ARC Clearances

2000 Volt in Inches (mm)

Front	Top	Sides
2.00 (50.8)	2.00 (50.8)	1.00 (25.4)

Eaton Corporation
 Electrical Sector
 1111 Superior Ave.
 Cleveland, OH 44114
 United States
 877-ETN-CARE (877-386-2273)
 Eaton.com

© 2010 Eaton Corporation
 All Rights Reserved
 Printed in USA
 Publication No. PA05803002E / Z9886
 May 2010



PowerChain Management®

PowerChain Management is a registered trademark of Eaton Corporation.

All other trademarks are property of their respective owners.